



# MARCH PUMPS

1819 PICKWICK AVE., GLENVIEW, IL 60026-1306, U.S.A  
 PHONE: (847) 729-5300 - FAX: (847) 729-7062  
 WWW.MARCHPUMP.COM

**TE-5.5C-MD**  
**TE-5.5K-MD**  
**TE-5.5S-MD**

## DESCRIPTION:

Series 5.5 are centrifugal magnetic drive pumps, eliminating the need for a shaft seal. Pumps can be serviced with a screwdriver. Screws should be tightened in sequence and uniformly. Do not over tighten the screws or you may crush the plastic housing bosses. See the parts list for a breakdown of parts.

## OPERATION:

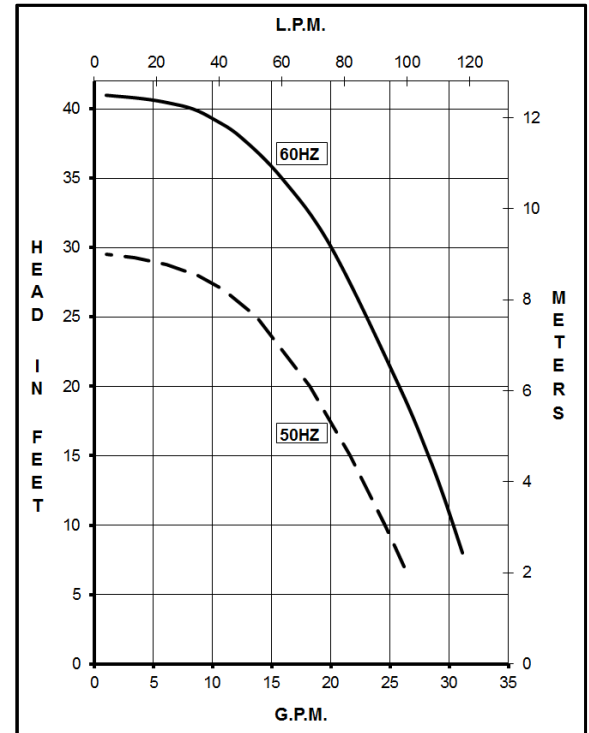
Pumps are not self-priming, lack a suction lift, and thus require a **flooded suction**. Pumps **cannot be run dry** because the impeller requires the liquid being pumped for lubrication. The direction of motor rotation should be clockwise when facing the inlet of the pump. For liquids with a specific gravity greater than water, have a higher viscosity, or for elevated temperatures, a trimmed impeller may be necessary. For application assistance, contact March Pump.

## ELECTRICAL:

TE-5.5-MD pumps are dual voltage 115/230, 1 phase 50/60 Hz or dual voltage 230/460 60 Hz (190/380 50 Hz), 3 phase, TEFC. Motors are totally enclosed fan cooled and are U.L. listed as well as rated for continuous operation. All motors have a conduit box for electrical connections.

## LIMITED WARRANTY:

March pumps are guaranteed only against defects in workmanship or materials for a period of one year from date of manufacture pumping water. For the complete warranty and to register online go to [www.marchpump.com/warranty-registration](http://www.marchpump.com/warranty-registration)

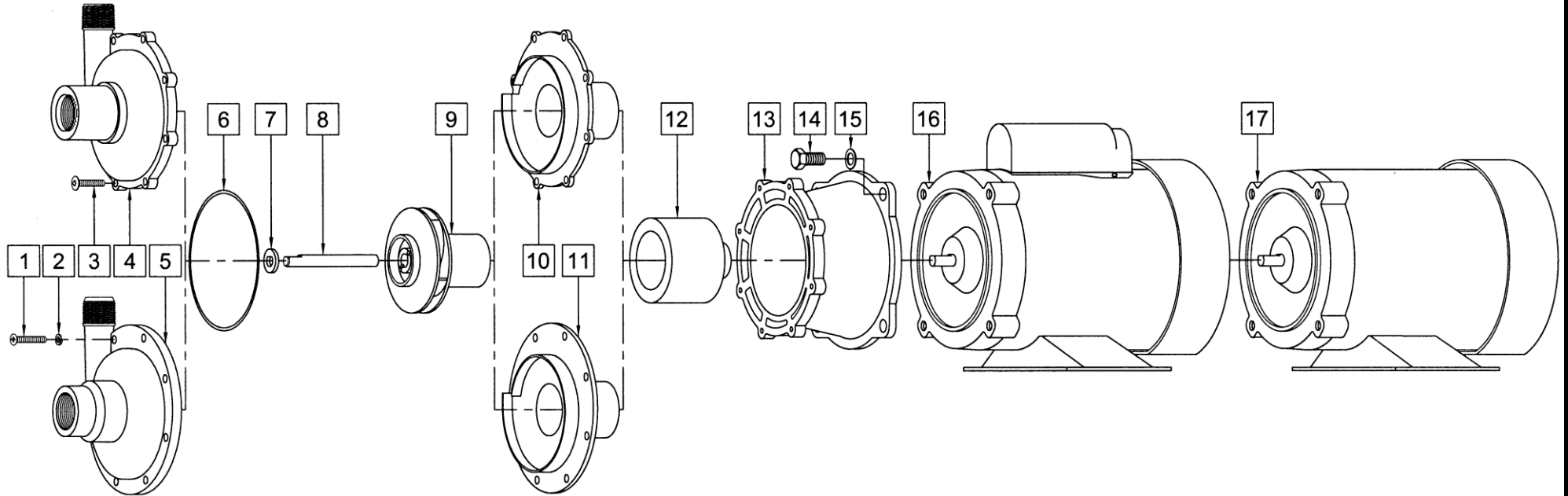


Model Abbreviations: C: Polypropylene, K: Kynar, S: Stainless Steel

MODELS		TE-5.5C-MD				TE-5.5K-MD				TE-5.5S-MD			
		60 Hz		50 Hz		60 Hz		50 Hz		60 Hz		50 Hz	
Product #	1 Phase	0151-0027-0100				0151-0027-0300				0151-0002-0100			
	3 Phase	0151-0027-0800				0151-0027-0900				0151-0002-0400			
UNITS		60 Hz		50 Hz		60 Hz		50 Hz		60 Hz		50 Hz	
Max Flow		30 gpm		102 lpm		30 gpm		102 lpm		30 gpm		102 lpm	
Max Head		41 ft / 17.7 psi		9 m		41 ft / 17.7 psi		9 m		41 ft / 17.7 psi		9 m	
Inlet - Outlet		1" FPT - 3/4" MPT				1" FPT - 3/4" MPT				1" FPT - 3/4" MPT			
Max Internal Pressure		50 psi / 344 kPa				75 psi / 517 kPa				200 psi / 1378 kPa			
Max Liquid Temperature		190 °F / 87 °C				200 °F / 93 °C				250 °F / 121 °C			
Packed Weight	1 Phase	23.40 lbs / 10.61 kg				23.80 lbs / 10.79 kg				28.55 lbs / 12.95 kg			
	3 Phase	27.60 lbs / 12.51 kg				28.05 lbs / 12.72 kg				32.80 lbs / 14.87 kg			
ELECTRICAL 60 Hz		W	A	Hp	Rpm	W	A	Hp	Rpm	W	A	Hp	Rpm
1 Phase 115 V		452	4.4	1/3	3450	452	4.4	1/3	3450	452	4.4	1/3	3450
1 Phase 230 V		452	2.2	1/3	3450	452	2.2	1/3	3450	452	2.2	1/3	3450
3 Phase 230 V		425	1.2	1/3	3450	425	1.2	1/3	3450	425	1.2	1/3	3450
3 Phase 460 V		425	0.6	1/3	3450	425	0.6	1/3	3450	425	0.6	1/3	3450
ELECTRICAL 50 Hz		W	A	kW	Rpm	W	A	kW	Rpm	W	A	kW	Rpm
1 Phase 115 V		290	4.4	0.248	2850	290	4.4	0.248	2850	290	4.4	0.248	2850
1 Phase 230 V		290	2.2	0.248	2850	290	2.2	0.248	2850	290	2.2	0.248	2850
3 Phase 190 V		350	1.2	0.186	2850	350	1.2	0.186	2850	350	1.2	0.186	2850
3 Phase 380 V		350	0.6	0.186	2850	350	0.6	0.186	2850	350	0.6	0.186	2850
OVERALL SIZE		Height	Width	Length	Height	Width	Length	Height	Width	Length	Height	Width	Length
1 Phase		7.79"	7.65"	14.25"	7.79"	7.65"	14.25"	7.79"	7.65"	14.25"	7.79"	7.65"	14.25"
		19.7 cm	19.4 cm	36.1 cm	19.7 cm	19.4 cm	36.1 cm	19.7 cm	19.4 cm	36.1 cm	19.7 cm	19.4 cm	36.1 cm
3 Phase		7.34"	9.24"	15.07"	7.34"	9.24"	15.07"	7.34"	9.24"	15.07"	7.34"	9.24"	15.07"
		18.6 cm	23.4 cm	38.2 cm	18.6 cm	23.4 cm	38.2 cm	18.6 cm	23.4 cm	38.2 cm	18.6 cm	23.4 cm	38.2 cm
Materials in Contact with Solution:		Polypropylene, Viton, Ceramic				Kynar/Carbon Filled, Viton, Ceramic				316 Stainless Steel, Viton, Ceramic, Carbon			

All specifications/values are based on pumping water and are intended as a guideline only. Values may vary with different motors.

**PARTS LIST**



**NOTE:** When attaching the Drive Magnet to the motor shaft, position the face of the Drive Magnet flush with the face of the Motor Bracket.

#	DESCRIPTION	TE-5.5C-MD	TE-5.5K-MD	TE-5.5S-MD	SIZE (Inches)	QTY.	TE-5.5C-MD	TE-5.5K-MD	TE-5.5S-MD
1	Screw		Stainless		#10-32 x 1-1/8 Lg.	8			0135-0181-1000
2	Lock Washer		Stainless		#10	8			0151-0016-1000
3	Screw		Stainless		#10-32 x 1 Lg.	8	0135-0180-1000		
4	Front Housing	Polypropylene	Kynar			1	0151-0027-1000	0151-0044-1000	
5	Front Housing			316 Stainless		1			0151-0002-0001
6	"O" Ring		Viton		3/32 CS x 4-7/16 OD	1		0153-0015-1000	
7	"O" Ring		Viton/Teflon (Option)		3/32 CS x 4-7/16 OD	1		0153-0024-1000	
7	Thrust Washer		Ceramic			1		0155-0009-1000	
8	Shaft		Ceramic			1		0153-0007-1000	
9	Impeller	Polypropylene	Kynar			1	0151-0029-0500	0151-0046-0300	
9	Impeller w/Carbon Bushing	Polypropylene (Option)	Kynar (Option)	316 Stainless		1	0151-0029-0800	0151-0046-0500	0151-0001-0400
9	Impeller w/Mica Teflon Bushing	Polypropylene (Option)	Kynar (Option)	316 Stainless (Option)		1	0151-0029-1300	0151-0046-1100	0151-0001-0800
10	Rear Housing w/Ceramic Thrust Washer	Polypropylene	Kynar			1	0151-0028-0100	0151-0045-0100	
11	Rear Housing			316 Stainless		1			0151-0003-0000
12	Drive Magnet					1		0151-0061-0200	
13	Motor Bracket		Plastic			1		0151-0014-0100	
14	Screw		Stainless		3/8-16 x 3/4 Lg.	4		0155-0017-1000	
15	Washer		Stainless		3/8 ID x 5/8 OD	4		0155-0019-1000	
16	Motor, TEFC, 115/230 V 50/60 Hz, 1 Phase					1		0151-0015-1000	
17	Motor, TEFC, 230/460 V 60 Hz (190/380 V 50 Hz), 3 Phase					1		0151-0039-1000	
W	TE-5.5C-MD Wet End Kit		3, 4, 6, 7, 8, 9, 10			1	0151-0069-0100		
	TE-5.5K-MD Wet End Kit		3, 4, 6, 7, 8, 9, 10			1		0151-0070-0100	

**NOTE:** Contact Factory for other materials and/or parts not listed.

Explosion proof and special voltage motors are available upon special order.

0151-0026-1000 R24